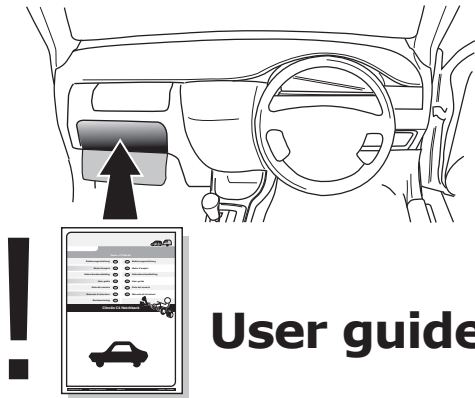
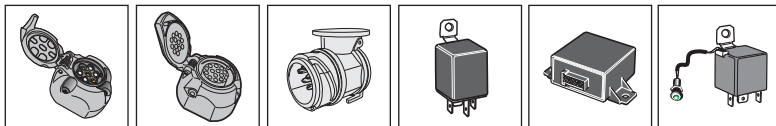


**! INFO !**

Do not charge the battery of the towing vehicle and/or towed vehicle directly via the socket.



**User guide**



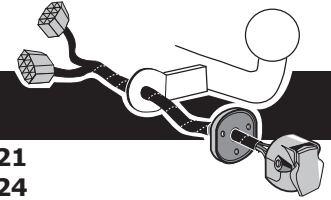
**SPARE PARTS**

**[www.ecs-electronicsuk.co.uk](http://www.ecs-electronicsuk.co.uk)**



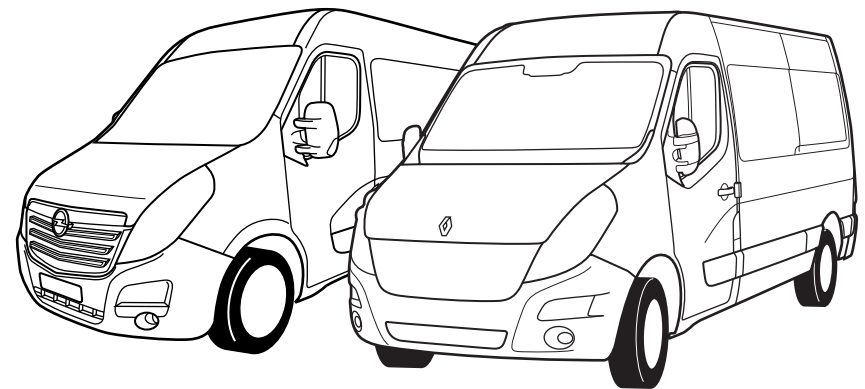
Partnr.: OP-073-BLU

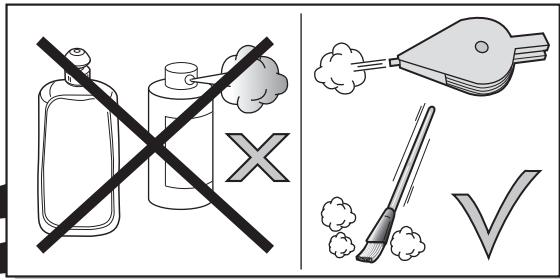
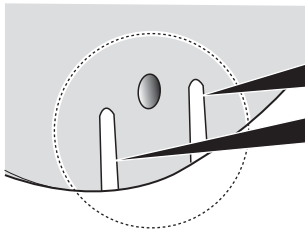
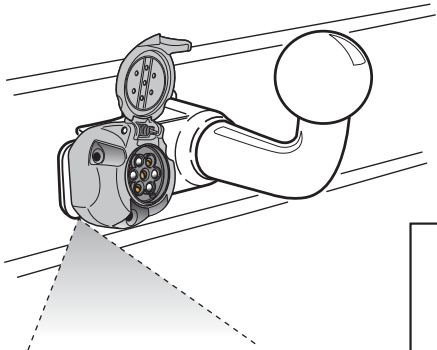
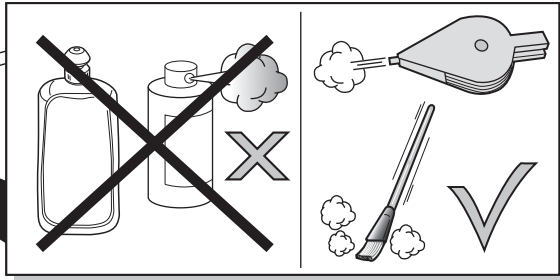
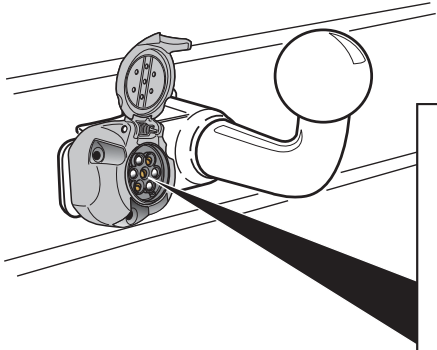
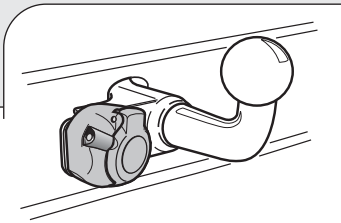
**User Guide**

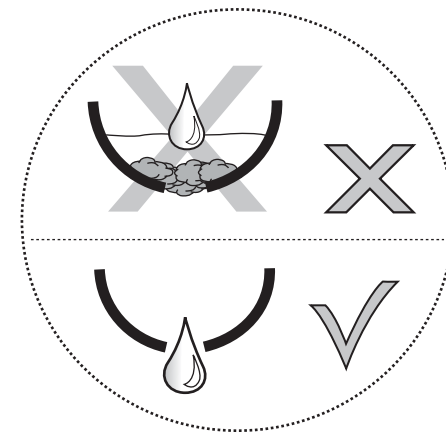
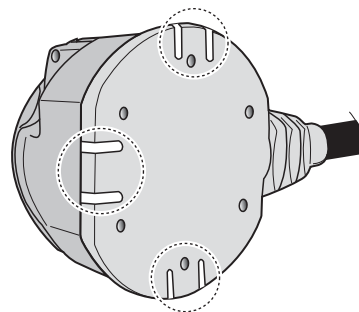
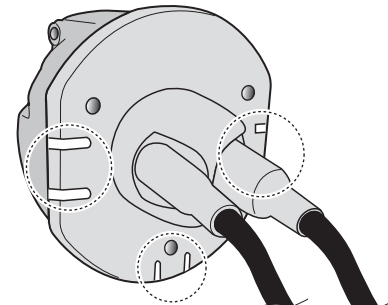
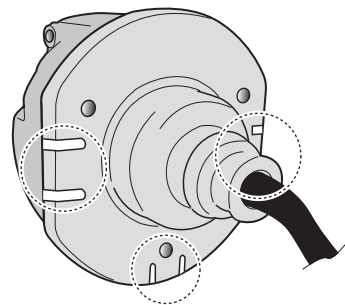
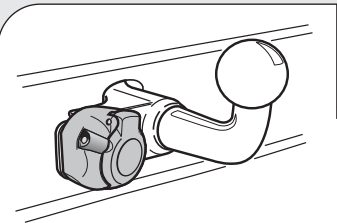


**Vehicles with trailer-preparation only!**

|                         |                    |                                 |
|-------------------------|--------------------|---------------------------------|
| <b>Opel Movano</b>      | <b>Chassis-Cab</b> | <b>03/2010 &gt;&gt; 12/2021</b> |
| <b>Renault Master</b>   | <b>Chassis-Cab</b> | <b>03/2010 &gt;&gt; 05/2024</b> |
| <b>Nissan NV400</b>     | <b>Chassis-Cab</b> | <b>03/2010 &gt;&gt; 12/2021</b> |
| <b>Nissan Interstar</b> | <b>Chassis-Cab</b> | <b>01/2022 &gt;&gt; 05/2024</b> |







## SOCKET CONNECTION

|              |        |       |       |       |        |       |        |      |
|--------------|--------|-------|-------|-------|--------|-------|--------|------|
|              |        |       |       |       |        |       |        |      |
| DIN/ISO 1724 | 1/L    | 2     | 3/31  | 4/R   | 5/58-R | 6/54  | 7/58-L | 8    |
| Pmax         | 21W    | 2x21W |       | 21W   | 42W    | 3x21W | 42W    |      |
| Colour       | Yellow | Blue  | White | Green | Brown  | Red   | Black  | Grey |



In a coupled trailer with working fog lamp, the fog lamp of the vehicle will be switched off, if applicable.